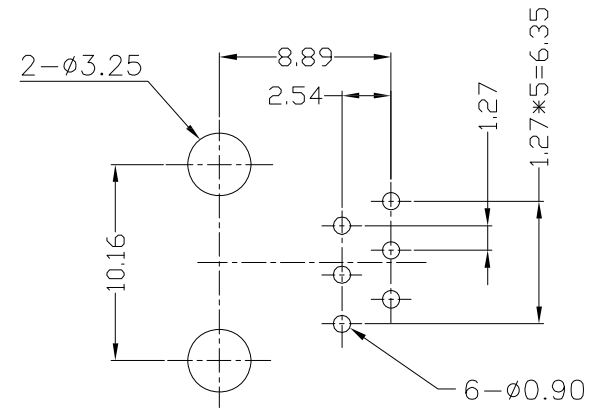
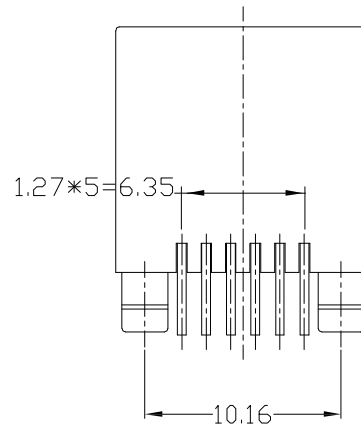
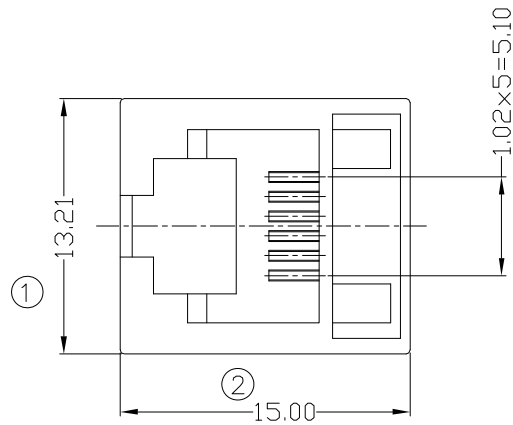
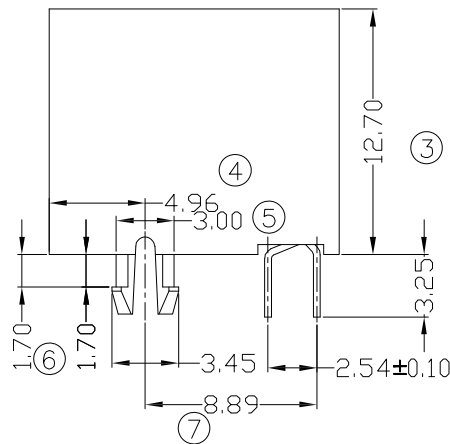


REV.	ECN NO OR DESCRIPTION	REVISED	DATE
AO	INITIAL RELEASE	KEN	21.05.08



PCB LAYOUT/TOP VIEW



MECHANICAL:

1. HOUSING & INSERT & MATERIAL: PBT UL94V-0
2. CONTACT MATERIAL: PHOSPHOR BRONZE
3. PLATING: GOLD PLATING AT CONTACT AREA, NICKEL 50u" MIN. OVER ALL.
4. OPERATING LIFE: 750 CYCLES MIN.
5. RETENTION STRENGTH: 50N MIN. FOR 60S ± 5S

ENVIRONMENTAL:

1. STORAGE: -40°C TO +85°C RELATIVE HUMIDITY < 80%, GB 10753-89
2. GUARANTEE PERIOD: 12 MONTHS
3. OPERATION: -25°C ~ +75°C GB 10753-89
4. SALT WATER SPRAY: XXH SECONDS. MATES WITH MODULAR PLUG CONFORMING TO FCC PART 68, SUBPART F.

SPECIFICATION NOTES:

ELECTRICAL:

1. VOLTAGE RATING: 125 VAC RMS
2. CURRENT RATING: 1.5 AMP
3. CONTACT RESISTANCE: 20mΩ MAX.
4. INSULATION RESISTANCE: 1000MΩ MIN. AT 500V DC.
5. DIELECTRIC STRENGTH: 1000 V AC OR 1500V DC RMS AT 0.5mA 50 Hz / 60 Hz FOR 1 MINUTE

UNLESS OTHERWISE SPECIFIED TOLERANCES		Coorle Technology	
DECIMALS:	ANGLES:	TITLE	Modular Jack 5224 6P6C H=12.7
X : ±0.50	X : ±3°	DWN	Michael 21.05.08 <b>PART-NO:</b>
X.X : ±0.38	X.X : ±1°	CHKD	UNIT: mm
X.XX : ±0.25		APVD	SHEET: 1 OF 1
		SCALE: 1/1	
<b>ENGINEERING COPY</b>			